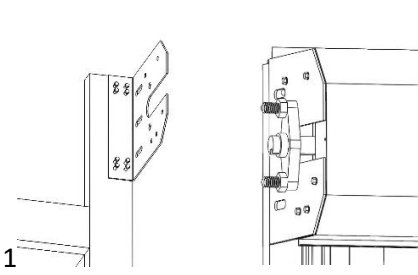
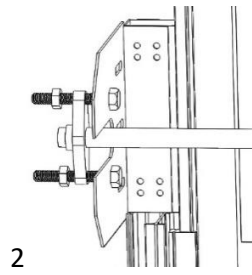


ORSEZ MODEL 500 MONTAGE

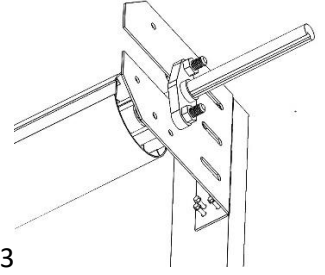


1

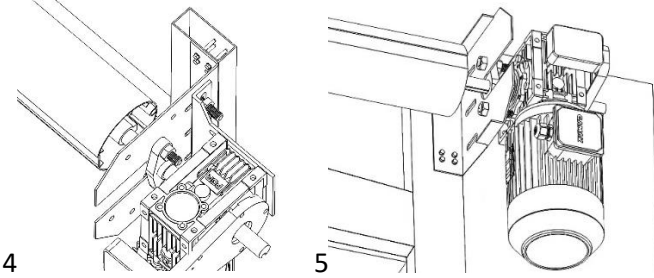
Attach the plate to the bottom zero, at a distance that will fit the top cover, and to the bottom zero point of the plate.



2



3

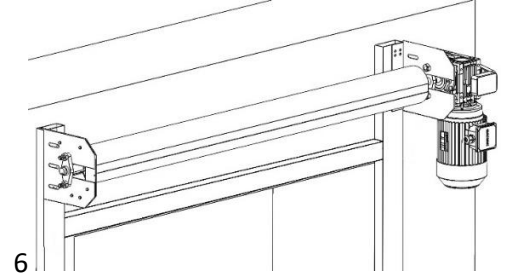


4

5

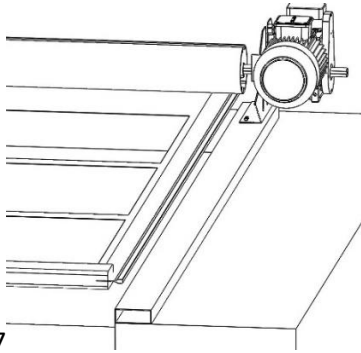
Place the motor on the shaft and connect the plate.

Install the drum and bearings.

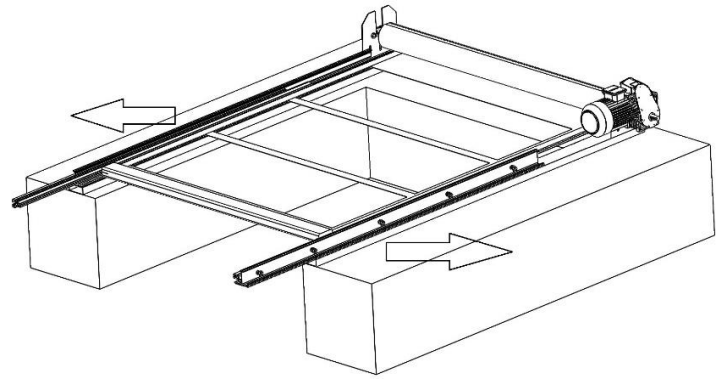


6

When the upper group is finished it will look like this.



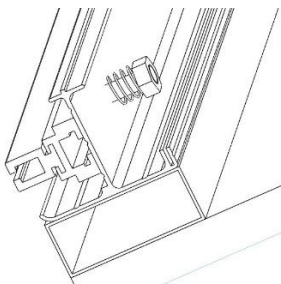
7



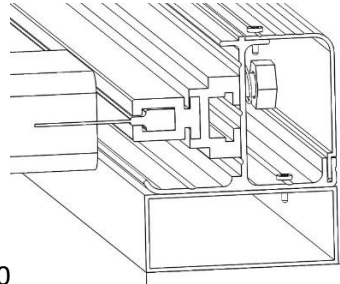
8

Lower the tarpaulin UP to ground level.

Insert the right and left studs into the zippers. Mount it on the wall by stretching it sideways.

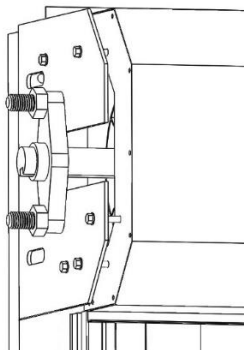


9

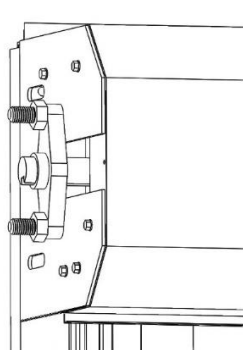


10

Struds covers will be put on and montaged version in the photo.



11



12

Finally, mount the top cover so that it fits flush between the two flags. If there is a gap between the top cover and the flags, it means that the installation has been made incorrectly.