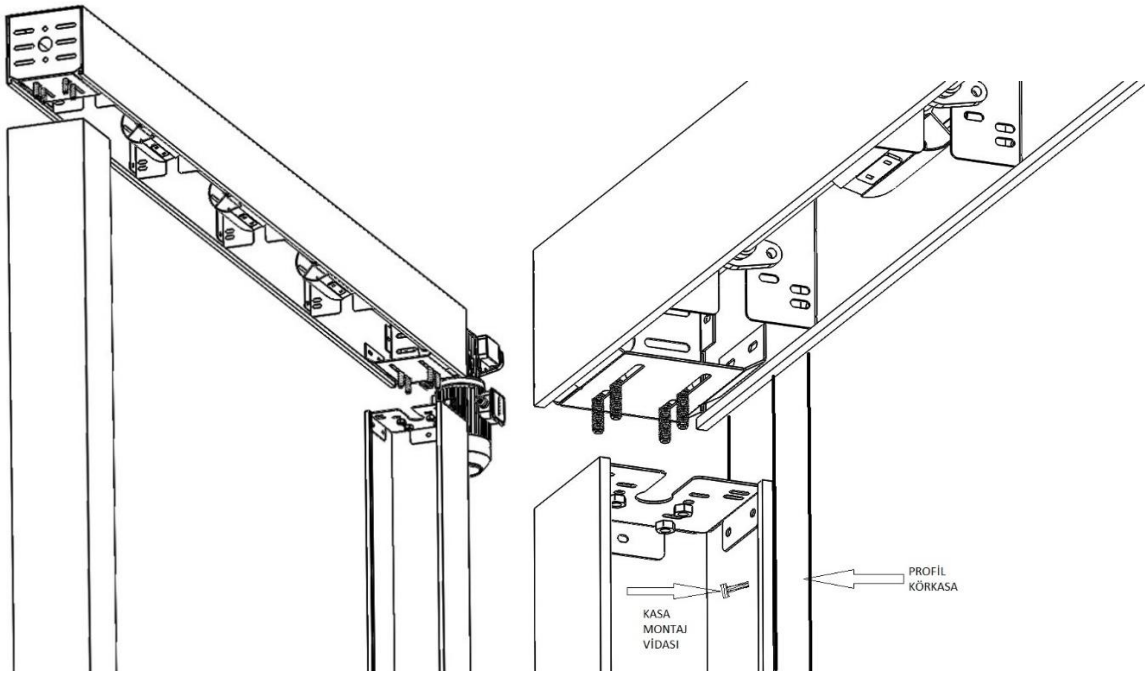
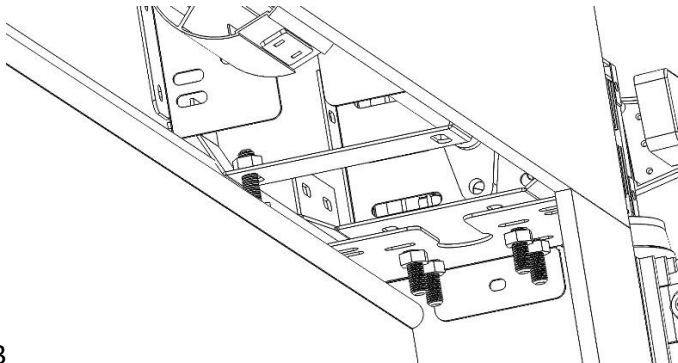


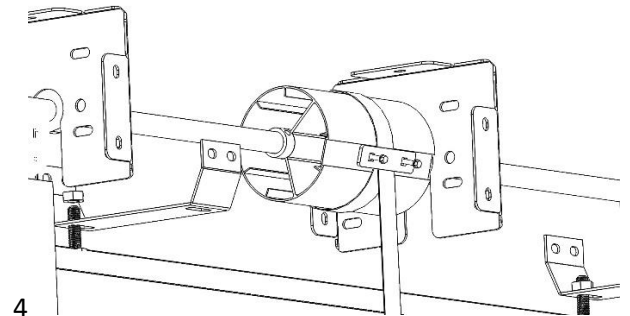
ORSEZ MODEL 300 MOUNTING INSTRUCTIONS



1 -2 CONNECT THE VERTICAL STRUCTURES AND UPPER ASSEMBLY GROUP SO THAT THE CORNERS ARE COMBINED AND COME ACROSS. FIX THE VERTICAL STRUCTURES AND TOP GROUP ASSEMBLY TO THE BACK SURFACE.

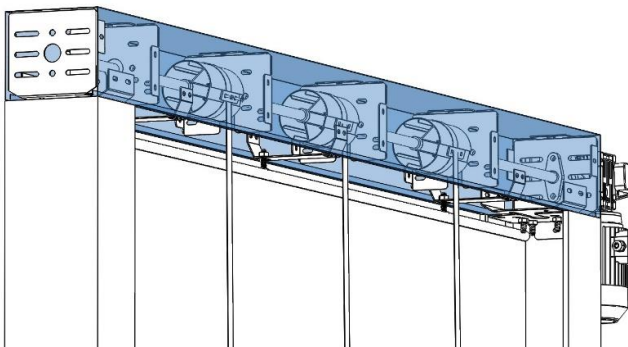


3

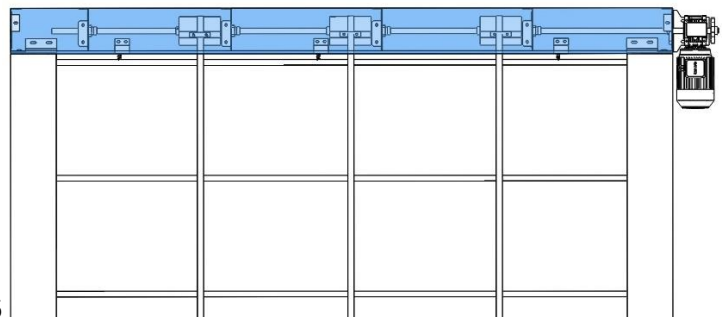


4

AFTER INSTALLATION OF THE MECHANICAL SECTION IS FINISHED, INSTALL THE TRAP HANGER SCREWS. SCREW THE TAPE BELTS TO THE DRUMS TOGETHER WITH THE PLATE.



5



6

